

HN58X25128FPIAG/HN58X25256FPIAG

Serial Peripheral Interface

128k EEPROM (16-kword × 8-bit)

256k EEPROM (32-kword × 8-bit)

R10DS0225EJ0200

Rev.2.00

Nov 29, 2013

Description

HN58X25128/HN58X25256 Series is the Serial Peripheral Interface compatible (SPI) EEPROM (Electrically Erasable and Programmable ROM). It realizes high speed, low power consumption and a high level of reliability by employing advanced MONOS memory technology and CMOS process and low voltage circuitry technology. It also has a 64-byte page programming function to make it's write operation faster.

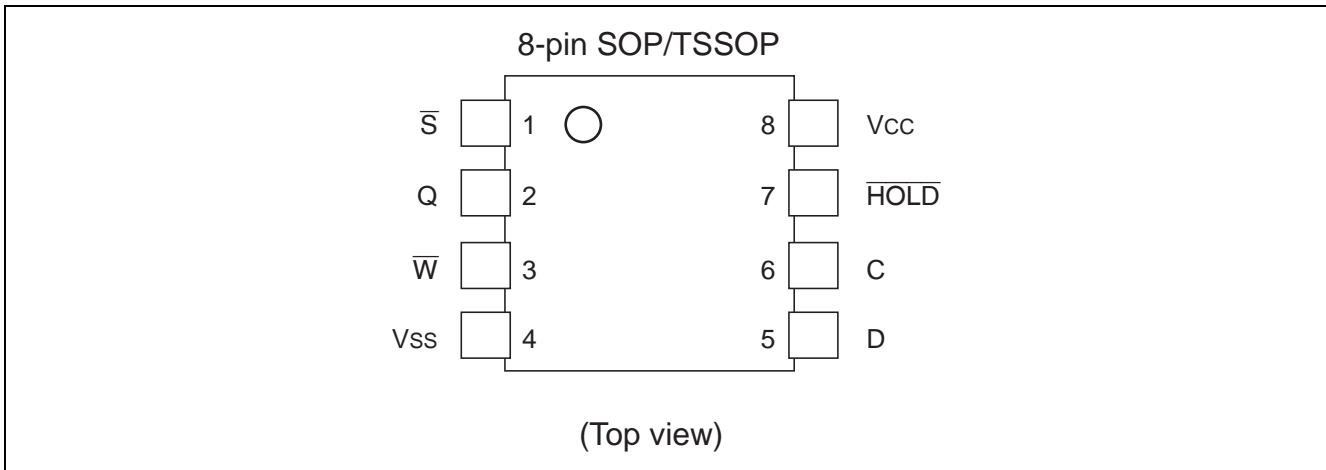
Features

- Single supply: 1.8 V to 5.5 V
- Serial Peripheral Interface compatible (SPI bus)
 - SPI mode 0 (0,0), 3 (1,1)
- Clock frequency: 5 MHz (2.5 V to 5.5 V), 3 MHz (1.8 V to 5.5 V)
- Power dissipation:
 - Standby: 3.0 μ A (max)
 - Active (Read): 4.0 mA (max)
 - Active (Write): 4.0 mA (max)
- Automatic page write: 64-byte/page
- Write cycle time: 5 ms (2.5 V or more) / 8 ms (1.8 V or more)
- Endurance: 1,000k or more Cycles @25°C
- Data retention: 100 or more Years @25°C
- Small size packages: SOP-8pin
- Shipping tape and reel
 - SOP-8pin: 2,500 IC/reel
- Temperature range: -40 to +85°C
- Lead free product.

Ordering Information

| Orderable Part Numbers | Internal organization | Package | Shipping tape and reel |
|------------------------|---------------------------|-------------------------------------|------------------------|
| HN58X25128FPIAG#S0 | 128k bit (16,384 × 8-bit) | 150 mil 8-pin plastic SOP | 2,500 IC/reel |
| HN58X25256FPIAG#S0 | 256k bit (32,768 × 8-bit) | PRSP0008DF-B (FP-8DBV) Lead free | |

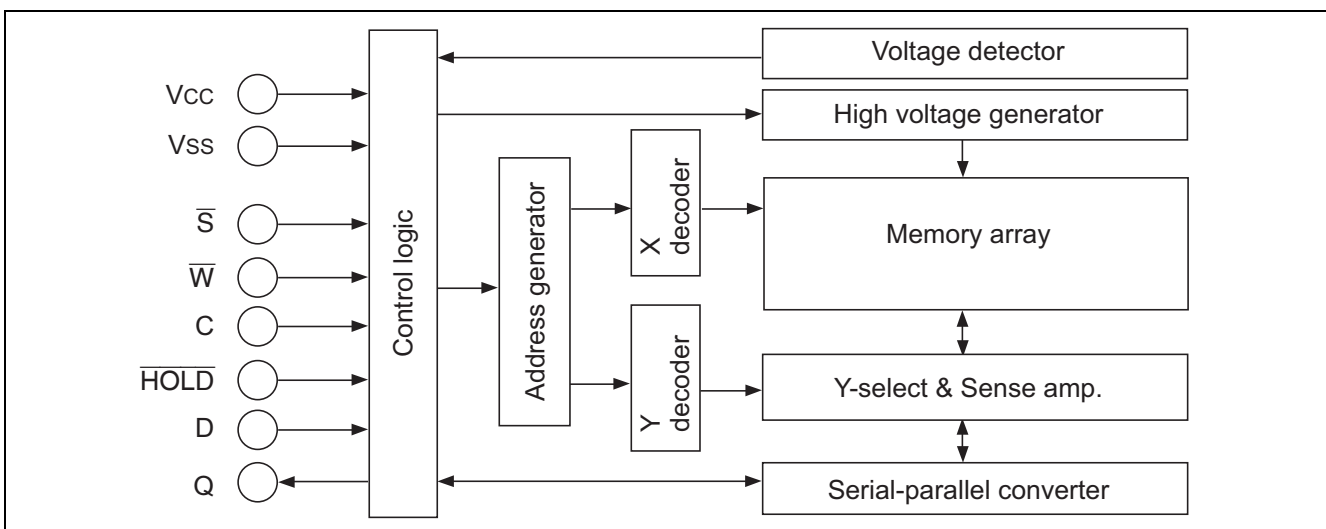
Pin Arrangement



Pin Description

| Pin name | Function |
|-----------------|--------------------|
| C | Serial clock |
| D | Serial data input |
| Q | Serial data output |
| \bar{S} | Chip select |
| \bar{W} | Write protect |
| HOLD | Hold |
| V _{CC} | Supply voltage |
| V _{SS} | Ground |

Block Diagram



Absolute Maximum Ratings

| Parameter | Symbol | Value | Unit |
|--|------------------|----------------------------|------|
| Supply voltage relative to V _{SS} | V _{CC} | -0.6 to + 7.0 | V |
| Input voltage relative to V _{SS} | V _{in} | -0.5* ² to +7.0 | V |
| Operating temperature range* ¹ | T _{opr} | -40 to +85 | °C |
| Storage temperature range | T _{stg} | -55 to +125 | °C |

Notes: 1. Including electrical characteristics and data retention.

2. V_{in} (min): -3.0 V for pulse width ≤ 50 ns.

DC Operating Conditions

| Parameter | Symbol | Min | Typ | Max | Unit |
|-----------------------------|------------------|-----------------------|-----|-----------------------|------|
| Supply voltage | V _{CC} | 1.8 | — | 5.5 | V |
| | V _{SS} | 0 | 0 | 0 | V |
| Input voltage | V _{IH} | V _{CC} × 0.7 | — | V _{CC} + 0.5 | V |
| | V _{IL} | -0.3* ¹ | — | V _{CC} × 0.3 | V |
| Operating temperature range | T _{opr} | -40 | — | +85 | °C |

Note: 1. V_{IL} (min): -1.0 V for pulse width ≤ 50 ns.

Capacitance

(T_a = +25°C, f = 1 MHz)

| Parameter | Symbol | Min | Typ | Max | Unit | Test conditions |
|--|--------------------------------|-----|-----|-----|------|------------------------|
| Input capacitance (D, C, \bar{S} , \bar{W} , HOLD) | C _{in} * ¹ | — | — | 6.0 | pF | V _{in} = 0 V |
| Output capacitance (Q) | C _{IO} * ¹ | — | — | 8.0 | pF | V _{out} = 0 V |

Note: 1. Not 100% tested.

Memory cell characteristics

(V_{CC} = 1.8 V to 5.5 V)

| | T _a =25°C | T _a =85°C | Notes |
|----------------|----------------------|----------------------|-------|
| Endurance | 1,000k Cycles min. | 100k Cycles min | 1 |
| Data retention | 100 Years min. | 10 Years min. | 1 |

Note: 1. Not 100% tested.

DC Characteristics

| Parameter | | Symbol | Min | Typ | Max | Unit | Test conditions |
|------------------------|---------|-----------|---------------------|-----|-----|---------------|--|
| Input leakage current | | I_{LI} | — | — | 2.0 | μA | $V_{CC} = 5.5\text{ V}$, $V_{IN} = 0$ to 5.5 V (\bar{S} , D, C, HOLD, W) |
| Output leakage current | | I_{LO} | — | — | 2.0 | μA | $V_{CC} = 5.5\text{ V}$, $V_{OUT} = 0$ to 5.5 V (Q) |
| V_{CC} current | Standby | I_{SB} | — | 0.5 | — | μA | $V_{IN} = V_{SS}$ or V_{CC} , $V_{CC} = 3.6\text{ V}$ |
| | | | — | 1.0 | 3.0 | μA | $V_{IN} = V_{SS}$ or V_{CC} , $V_{CC} = 5.5\text{ V}$ |
| | Active | I_{CC1} | — | 1.0 | 2.5 | mA | $V_{CC} = 3.6\text{ V}$, Read at 5 MHz $V_{IN} = V_{CC} \times 0.1/V_{CC} \times 0.9$ Q = OPEN |
| | | | — | — | 4.0 | mA | $V_{CC} = 5.5\text{ V}$, Read at 5 MHz $V_{IN} = V_{CC} \times 0.1/V_{CC} \times 0.9$ Q = OPEN |
| | | I_{CC2} | — | 1.5 | 2.5 | mA | $V_{CC} = 3.6\text{ V}$, Write at 5 MHz $V_{IN} = V_{CC} \times 0.1/V_{CC} \times 0.9$ |
| | | | — | — | 4.0 | mA | $V_{CC} = 5.5\text{ V}$, Write at 5 MHz $V_{IN} = V_{CC} \times 0.1/V_{CC} \times 0.9$ |
| Output voltage | | V_{OL1} | — | — | 0.4 | V | $V_{CC} = 5.5\text{ V}$, $I_{OL} = 2\text{ mA}$ |
| | | V_{OL2} | — | — | 0.4 | V | $V_{CC} = 2.5\text{ V}$, $I_{OL} = 1.5\text{ mA}$ |
| | | V_{OH1} | $V_{CC} \times 0.8$ | — | — | V | $V_{CC} = 5.5\text{ V}$, $I_{OH} = -2\text{ mA}$ |
| | | V_{OH2} | $V_{CC} \times 0.8$ | — | — | V | $V_{CC} = 2.5\text{ V}$, $I_{OH} = -0.4\text{ mA}$ |

AC Characteristics

Test Conditions

- Input pules levels:
 - $V_{IL} = V_{CC} \times 0.2$
 - $V_{IH} = V_{CC} \times 0.8$
- Input rise and fall time: ≤ 10 ns
- Input and output timing reference levels: $V_{CC} \times 0.3, V_{CC} \times 0.7$
- Output reference levels: $V_{CC} \times 0.5$
- Output load: 100 pF

($T_a = -40$ to $+85^\circ\text{C}$, $V_{CC} = 2.5$ V to 5.5 V)

| Parameter | Symbol | Alt | Min | Max | Unit | Notes |
|---|------------|------------|-----|-----|---------------|-------|
| Clock frequency | f_C | f_{SCK} | — | 5 | MHz | |
| \overline{S} active setup time | t_{SLCH} | t_{CSS1} | 90 | — | ns | |
| \overline{S} not active setup time | t_{SHCH} | t_{CSS2} | 90 | — | ns | |
| \overline{S} deselect time | t_{SHSL} | t_{CS} | 90 | — | ns | |
| \overline{S} active hold time | t_{CHSH} | t_{CSH} | 90 | — | ns | |
| \overline{S} not active hold time | t_{CHSL} | — | 90 | — | ns | |
| Clock high time | t_{CH} | t_{CLH} | 90 | — | ns | 1 |
| Clock low time | t_{CL} | t_{CLL} | 90 | — | ns | 1 |
| Clock rise time | t_{CLCH} | t_{RC} | — | 1 | μs | 2 |
| Clock fall time | t_{CHCL} | t_{FC} | — | 1 | μs | 2 |
| Data in setup time | t_{DVCH} | t_{DSU} | 20 | — | ns | |
| Data in hold time | t_{CHDX} | t_{DH} | 30 | — | ns | |
| Clock low hold time after \overline{HOLD} not active | t_{HHCH} | — | 70 | — | ns | |
| Clock low hold time after \overline{HOLD} active | t_{HLCH} | — | 40 | — | ns | |
| Clock high setup time before \overline{HOLD} active | t_{CHHL} | — | 60 | — | ns | |
| Clock high setup time before \overline{HOLD} not active | t_{CHHH} | — | 60 | — | ns | |
| Output disable time | t_{SHQZ} | t_{DIS} | — | 100 | ns | 2 |
| Clock low to output valid | t_{CLQV} | t_V | — | 70 | ns | |
| Output hold time | t_{CLQX} | t_{HO} | 0 | — | ns | |
| Output rise time | t_{QLQH} | t_{RO} | — | 50 | ns | 2 |
| Output fall time | t_{QHQL} | t_{FO} | — | 50 | ns | 2 |
| \overline{HOLD} high to output low-Z | t_{HHQX} | t_{LZ} | — | 50 | ns | 2 |
| \overline{HOLD} low to output high-Z | t_{HLQZ} | t_{HZ} | — | 100 | ns | 2 |
| Write time | t_W | t_{WC} | — | 5 | ms | |

- Notes: 1. $t_{CH} + t_{CL} \geq 1/f_C$
 2. Not 100% tested.

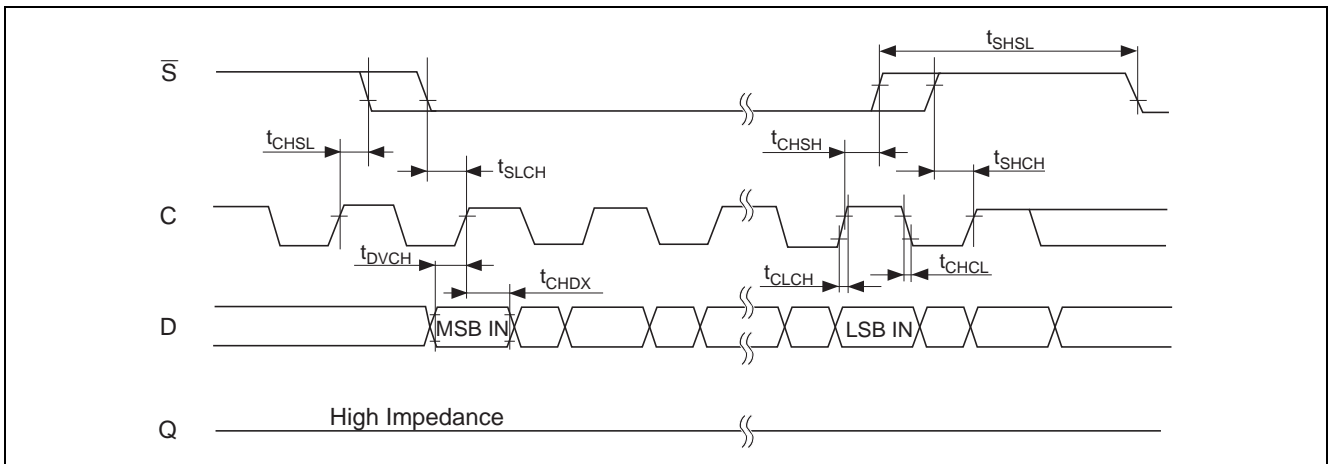
(Ta = -40 to +85°C, V_{CC} = 1.8 V to 5.5 V)

| Parameter | Symbol | Alt | Min | Max | Unit | Notes |
|---|-------------------|-------------------|-----|-----|------|-------|
| Clock frequency | f _C | f _{SCK} | — | 3 | MHz | |
| \overline{S} active setup time | t _{SLCH} | t _{CSS1} | 100 | — | ns | |
| \overline{S} not active setup time | t _{SHCH} | t _{CSS2} | 100 | — | ns | |
| \overline{S} deselect time | t _{SHSL} | t _{CS} | 150 | — | ns | |
| \overline{S} active hold time | t _{CHSH} | t _{CSH} | 100 | — | ns | |
| \overline{S} not active hold time | t _{CHSL} | — | 100 | — | ns | |
| Clock high time | t _{CH} | t _{CLH} | 150 | — | ns | 1 |
| Clock low time | t _{CL} | t _{CLL} | 150 | — | ns | 1 |
| Clock rise time | t _{CLCH} | t _{RC} | — | 1 | μs | 2 |
| Clock fall time | t _{CHCL} | t _{FC} | — | 1 | μs | 2 |
| Data in setup time | t _{DVCH} | t _{DSU} | 30 | — | ns | |
| Data in hold time | t _{CHDX} | t _{DH} | 50 | — | ns | |
| Clock low hold time after \overline{HOLD} not active | t _{HHCH} | — | 140 | — | ns | |
| Clock low hold time after \overline{HOLD} active | t _{HLCH} | — | 90 | — | ns | |
| Clock high setup time before \overline{HOLD} active | t _{CHHL} | — | 120 | — | ns | |
| Clock high setup time before \overline{HOLD} not active | t _{CHHH} | — | 120 | — | ns | |
| Output disable time | t _{SHQZ} | t _{DIS} | — | 200 | ns | 2 |
| Clock low to output valid | t _{CLQV} | t _V | — | 120 | ns | |
| Output hold time | t _{CLQX} | t _{HO} | 0 | — | ns | |
| Output rise time | t _{QLQH} | t _{RO} | — | 100 | ns | 2 |
| Output fall time | t _{QHQL} | t _{FO} | — | 100 | ns | 2 |
| \overline{HOLD} high to output low-Z | t _{HHQX} | t _{LZ} | — | 100 | ns | 2 |
| \overline{HOLD} low to output high-Z | t _{HLQZ} | t _{HZ} | — | 100 | ns | 2 |
| Write time | t _W | t _{WC} | — | 8 | ms | |

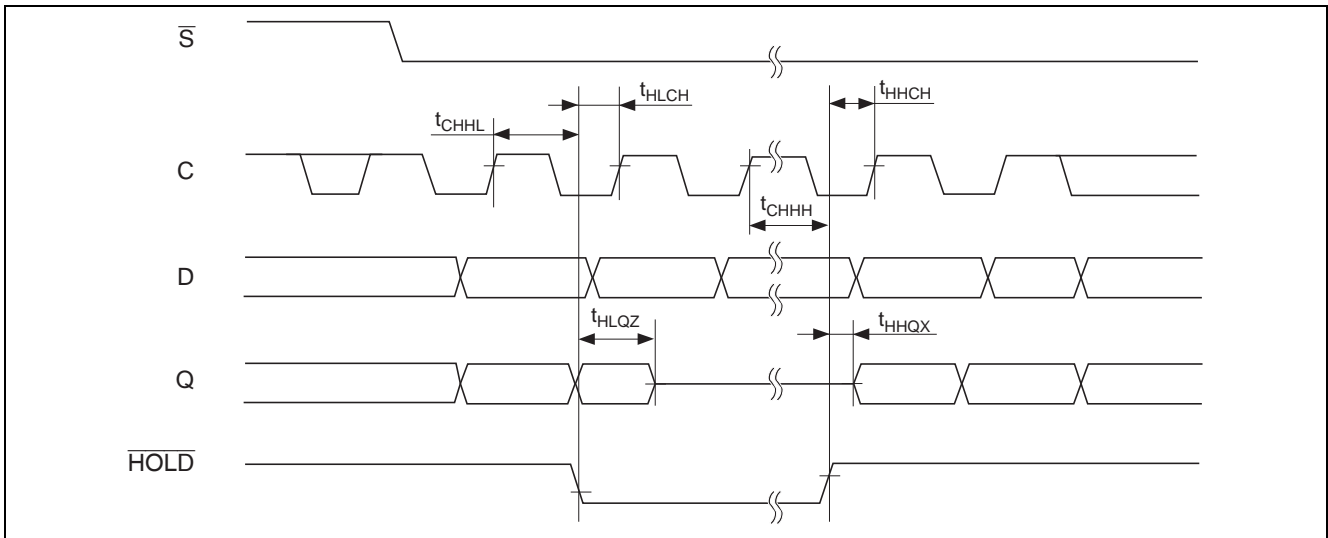
Notes: 1. t_{CH} + t_{CL} ≥ 1/f_C
 2. Not 100% tested.

Timing Waveforms

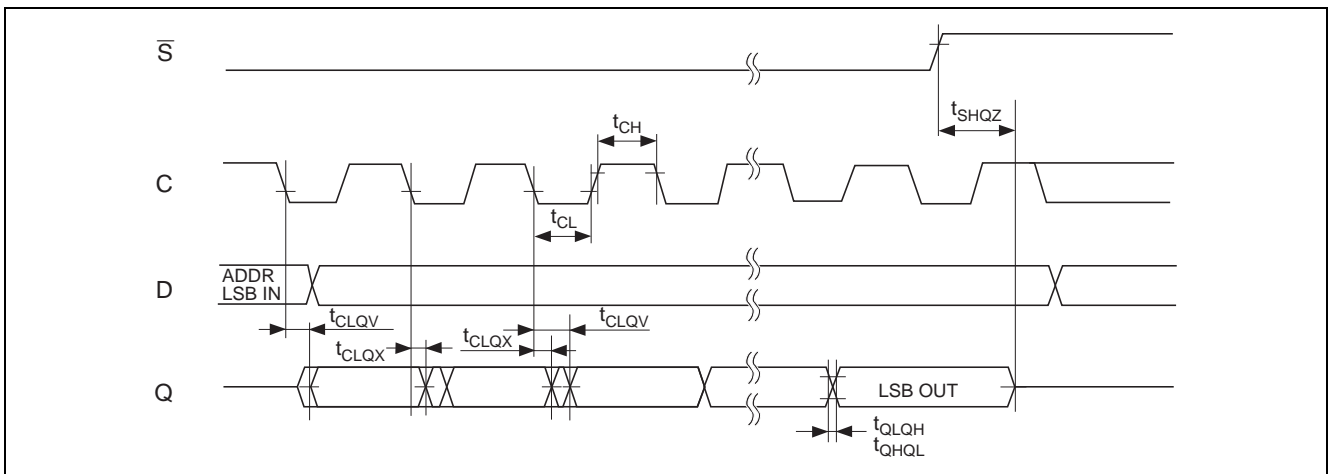
Serial Input Timing



Hold Timing



Output Timing



Pin Function

Serial data output (Q)

This output signal is used to transfer data serially out of the device. Data is shifted out on the falling edge of serial clock (C).

Serial data input (D)

This input signal is used to transfer data serially into the device. It receives instructions, addresses, and the data to be written. Values are latched on the rising edge of serial clock (C).

Serial clock (C)

This input signal provides the timing of the serial interface. Instructions, addresses, or data present at serial data input (D) are latched on the rising edge of serial clock (C). Data on serial data output (Q) changes after the falling edge of serial clock (C).

Chip select (\overline{S})

When this input signal is high, the device is deselected and serial data output (Q) is at high impedance. Unless an internal write cycle is in progress, the device will be in the standby mode. Driving chip select (\overline{S}) low enables the device, placing it in the active power mode. After power-up, a falling edge on chip select (\overline{S}) is required prior to the start of any instruction.

Hold (\overline{HOLD})

The hold (\overline{HOLD}) signal is used to pause any serial communications with the device without deselecting the device. During the hold condition, the serial data output (Q) is high impedance, and serial data input (D) and serial clock (C) are don't care. To start the hold condition, the device must be selected, with chip select (\overline{S}) driven low.

Write protect (\overline{W})

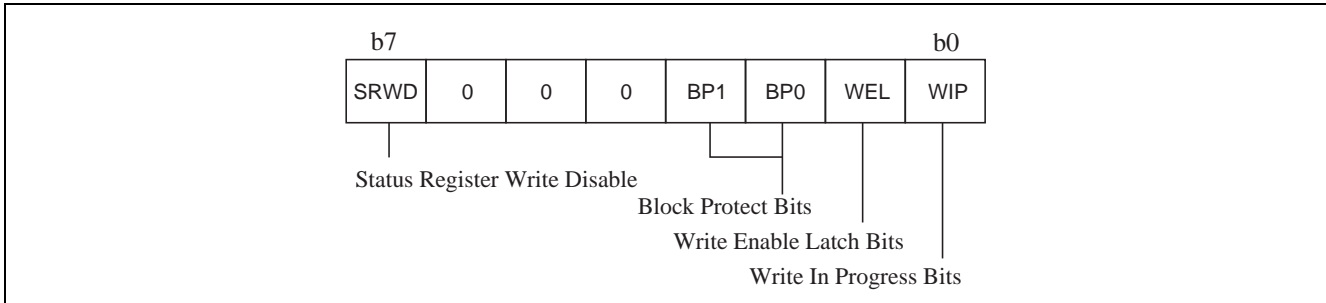
The main purpose of this input signal is to freeze the size of the area of memory that is protected against write instructions (as specified by the values in the BP1 and BP0 bits of the status register). This pin must be driven either high or low, and must be stable during all write operations.

Functional Description

Status Register

The following figure shows the Status Register Format. The Status Register contains a number of status and control bits that can be read or set (as appropriate) by specific instructions.

Status Register Format



WIP bit: The Write In Progress (WIP) bit indicates whether the memory is busy with a Write or Write Status Register cycle.

WEL bit: The Write Enable Latch (WEL) bit indicates the status of the internal Write Enable Latch.

BP1, BP0 bits: The Block Protect (BP1, BP0) bits are non-volatile. They define the size of the area to be software protected against Write instructions.

SRWD bit: The Status Register Write Disable (SRWD) bit is operated in conjunction with the write protect (\overline{W}) signal. The Status Register Write Disable (SRWD) bit and write protect (\overline{W}) signal allow the device to be put in the Hardware Protected mode. In this mode, the non-volatile bits of the Status Register (SRWD, BP1, BP0) become read-only bits.

Instructions

Each instruction starts with a single-byte code, as summarized in the following table. If an invalid instruction is sent (one not contained in the following table), the device automatically deselected itself.

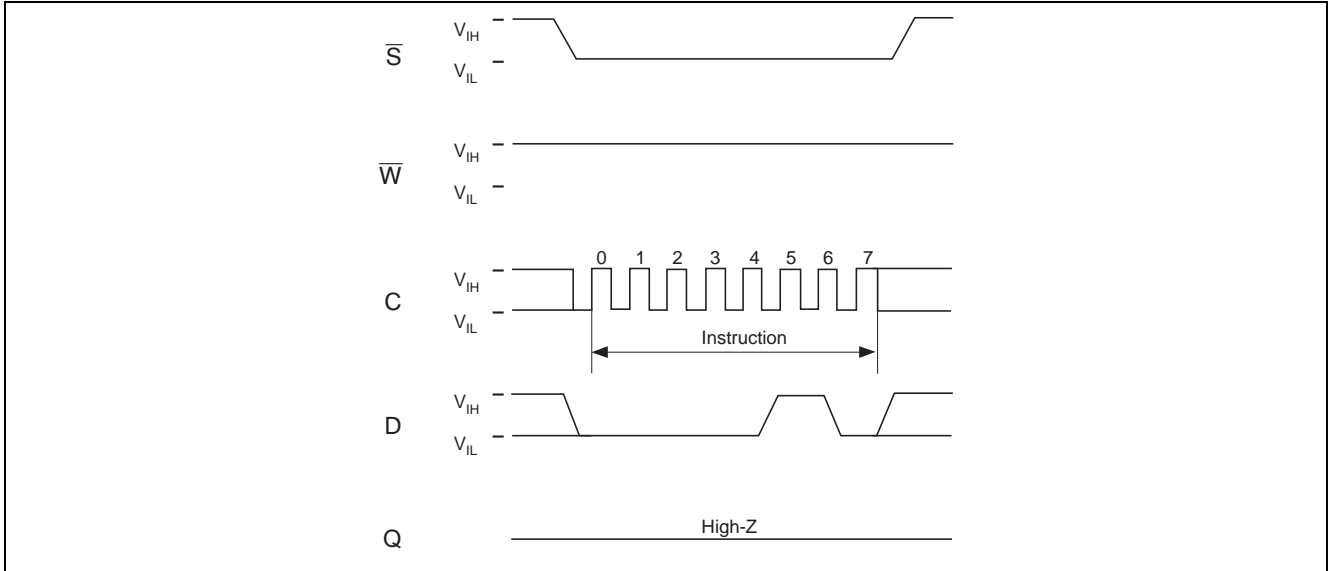
Instruction Set

| Instruction | Description | Instruction Format |
|-------------|------------------------|--------------------|
| WREN | Write Enable | 0000 0110 |
| WRDI | Write Disable | 0000 0100 |
| RDSR | Read Status Register | 0000 0101 |
| WRSR | Write Status Register | 0000 0001 |
| READ | Read from Memory Array | 0000 0011 |
| WRITE | Write to Memory Array | 0000 0010 |

Write Enable (WREN):

The Write Enable Latch (WEL) bit must be set prior to each WRITE and WRSR instruction. The only way to do this is to send a Write Enable instruction to the device. As shown in the following figure, to send this instruction to the device, chip select (\overline{S}) is driven low, and the bits of the instruction byte are shifted in, on serial data input (D). The device then enters a wait state. It waits for the device to be deselected, by chip select (\overline{S}) being driven high.

Write Enable (WREN) Sequence



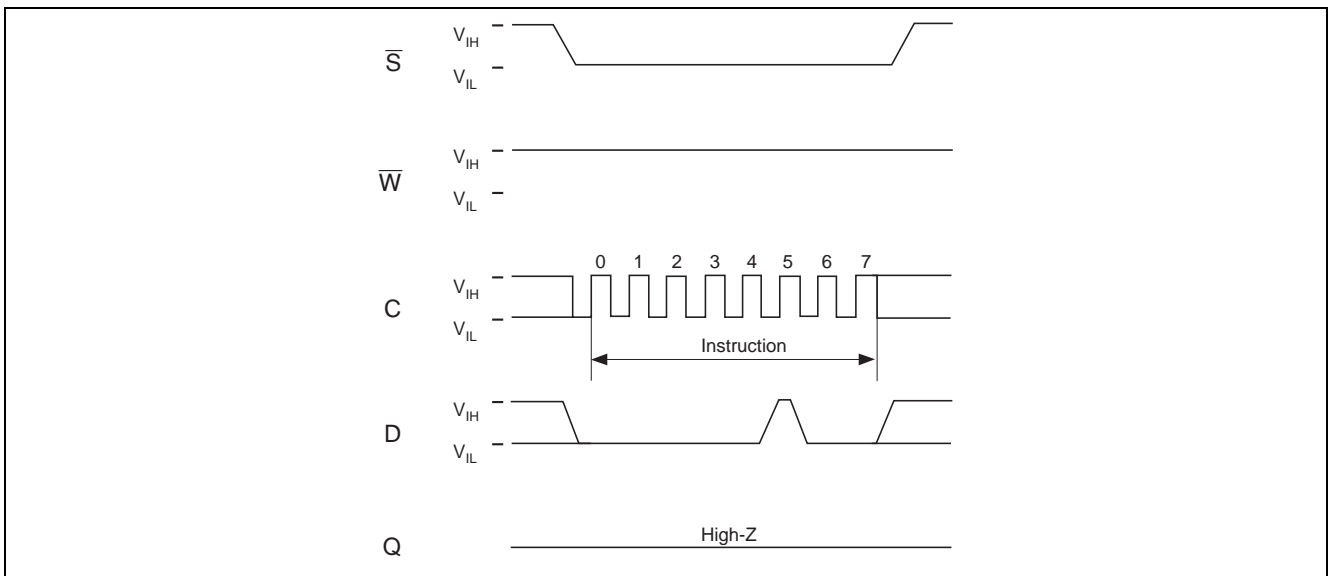
Write Disable (WRDI):

One way of resetting the Write Enable Latch (WEL) bit is to send a Write Disable instruction to the device. As shown in the following figure, to send this instruction to the device, chip select (\overline{S}) is driven low, and the bits of the instruction byte are shifted in, on serial data input (D).

The device then enters a wait state. It waits for the device to be deselected, by chip select (\overline{S}) being driven high. The Write Enable Latch (WEL) bit, in fact, becomes reset by any of the following events:

- Power-up
- WRDI instruction execution
- WRSR instruction completion
- WRITE instruction completion

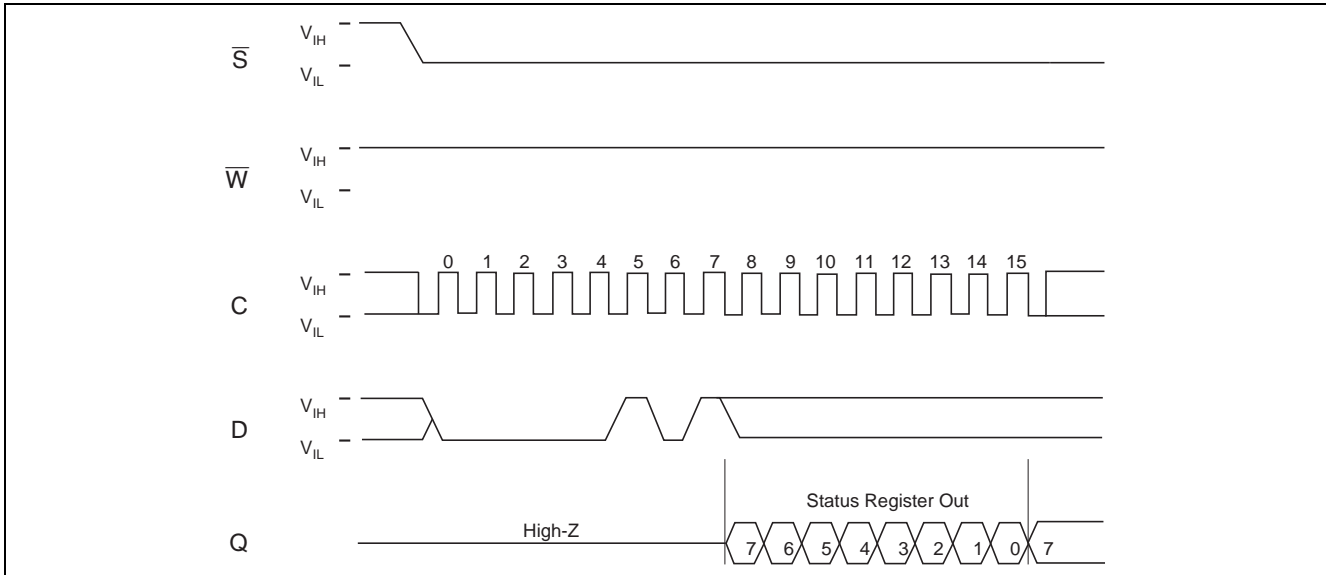
Write Disable (WRDI) Sequence



Read Status Register (RDSR):

The Read Status Register (RDSR) instruction allows the Status Register to be read. The Status Register may be read at any time, even while a Write or Write Status Register cycle is in progress. When one of these cycles is in progress, it is recommended to check the Write In Progress (WIP) bit before sending a new instruction to the device. It is also possible to read the Status Register continuously, as shown in the following figure.

Read Status Register (RDSR) Sequence



The status and control bits of the Status Register are as follows:

WIP bit: The Write In Progress (WIP) bit indicates whether the memory is busy with a Write or Write Status Register cycle. When set to 1, such a cycle is in progress. When reset to 0, no such cycles are in progress.

WEL bit: The Write Enable Latch (WEL) bit indicates the status of the internal Write Enable Latch. When set to 1, the internal Write Enable Latch is set. When set to 0, the internal Write Enable Latch is reset and no Write or Write Status Register instructions are accepted.

BP1, BP0 bits: The Block Protect (BP1, BP0) bits are non-volatile. They define the size of the area to be software protected against Write instructions. These bits are written with the Write Status Register (WRSR) instruction. When one or both of the Block Protect (BP1, BP0) bits are set to 1, the relevant memory area (as defined in the Status Register Format table) becomes protected against Write (WRITE) instructions. The Block Protect (BP1, BP0) bits can be written provided that the Hardware Protected mode has not been set.

SRWD bit: The Status Register Write Disable (SRWD) bit is operated in conjunction with the write protect (\overline{W}) signal. The Status Register Write Disable (SRWD) bit and write protect (\overline{W}) signal allows the device to be put in the Hardware Protected mode (When the Status Register Write Disable (SRWD) bit is set to 1, and write protect (\overline{W}) signal is driven low). In this mode, the non-volatile bits of the Status Register (SRWD, BP1, BP0) become read-only bits and the Write Status Register (WRSR) instruction is no longer accepted for execution.

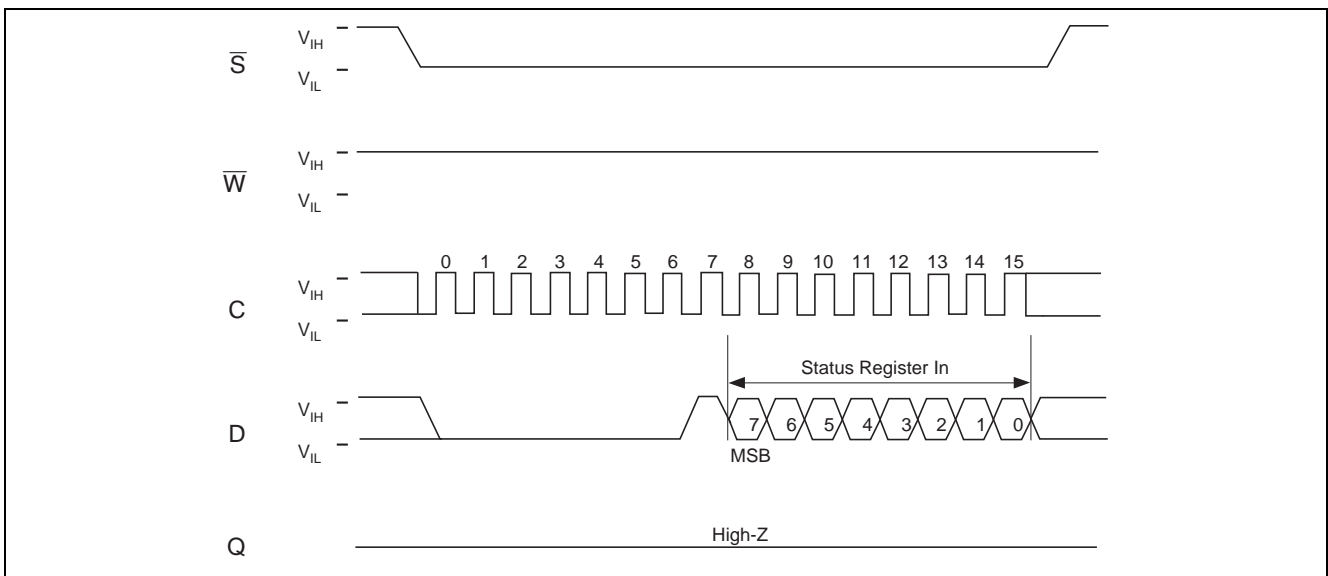
Write Status Register (WRSR):

The Write Status Register (WRSR) instruction allows new values to be written to the Status Register. Before it can be accepted, a Write Enable (WREN) instruction must previously have been executed. After the Write Enable (WREN) instruction has been decoded and executed, the device sets the Write Enable Latch(WEL). The instruction sequence is shown in the following figure. The Write Status Register (WRSR) instruction has no effect on b6, b5, b4, b1 and b0 of the Status Register. b6, b5 and b4 are always read as 0. Chip select (\bar{S}) must be driven high after the rising edge of serial clock (C) that latches in the eighth bit of the data byte, and before the next rising edge of serial clock (C). Otherwise, the Write Status Register (WRSR) instruction is not executed. As soon as chip select (\bar{S}) is driven high, the self-timed Write Status Register cycle (whose duration is t_w) is initiated. While the Write Status Register cycle is in progress, the Status Register may still be read to check the value of the Write In Progress (WIP) bit. The Write In Progress (WIP) bit is 1 during the self-timed Write Status Register cycle, and is 0 when it is completed. When the cycle is completed, Write Enable Latch (WEL) is reset. The Write Status Register (WRSR) instruction allows the user to change the values of the Block Protect (BP1, BP0) bits, to define the size of the area that is to be treated as read-only, as defined in the Status Register Format table.

The Write Status Register (WRSR) instruction also allows the user to set or reset the Status Register Write Disable (SRWD) bit in accordance with the write protect (\bar{W}) signal. The Status Register Write Disable (SRWD) bit and write protect (\bar{W}) signal allows the device to be put in the Hardware Protected Mode (HPM). The Write Status Register (WRSR) instruction is not executed once the Hardware Protected Mode (HPM) is entered.

The contents of the Status Register Write Disable (SRWD) and Block Protect (BP1, BP0) bits are frozen at their current values just before the start of the execution of the Write Status Register (WRSR) instruction. The new, updated values take effect at the moment of completion of the execution of Write Status Register (WRSR) instruction.

Write Status Register (WRSR) Sequence



Read from Memory Array (READ):

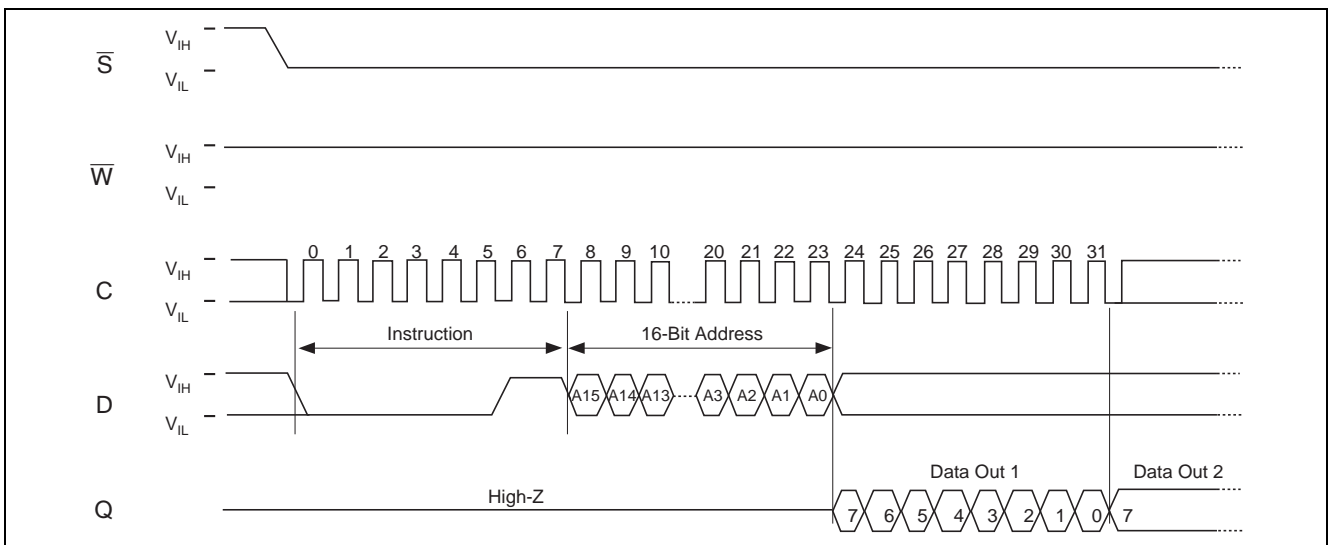
As shown in the following figure, to send this instruction to the device, chip select (\bar{S}) is first driven low. The bits of the instruction byte and the address bytes are then shifted in, on serial data input (D). The addresses are loaded into an internal address register, and the byte of data at that address is shifted out, on serial data output (Q).

If chip select (\bar{S}) continues to be driven low, the internal address register is automatically incremented, and the byte of data at the new address is shifted out.

When the highest address is reached, the address counter rolls over to zero, allowing the Read cycle to be continued indefinitely. The whole memory can, therefore, be read with a single READ instruction.

The Read cycle is terminated by driving chip select (\bar{S}) high. The rising edge of the chip select (\bar{S}) signal can occur at any time during the cycle. The addressed first byte can be any byte within any page. The instruction is not accepted, and is not executed, if a Write cycle is currently in progress.

Read from Memory Array (READ) Sequence



Note: 1. Depending on the memory size, as shown in the following table, the most significant address bits are don't care.

Address Range Bits

| Device | HN58X25256FPIAG | HN58X25128FPIAG |
|--------------|-----------------|-----------------|
| Address bits | A14 to A0 | A13 to A0 |

- Notes: 1. b15 is don't care on the HN58X25256FPIAG
 2. b15 and b14 are don't care on the HN58X25128FPIAG

Write to Memory Array (WRITE):

As shown in the following figure, to send this instruction to the device, chip select (\bar{S}) is first driven low. The bits of the instruction byte, address byte, and at least one data byte are then shifted in, on serial data input (D).

The instruction is terminated by driving chip select (\bar{S}) high at a byte boundary of the input data. In the case of the following figure, this occurs after the eighth bit of the data byte has been latched in, indicating that the instruction is being used to write a single byte. The self-timed Write cycle starts, and continues for a period t_{WC} (as specified in AC Characteristics). At the end of the cycle, the Write In Progress (WIP) bit is reset to 0.

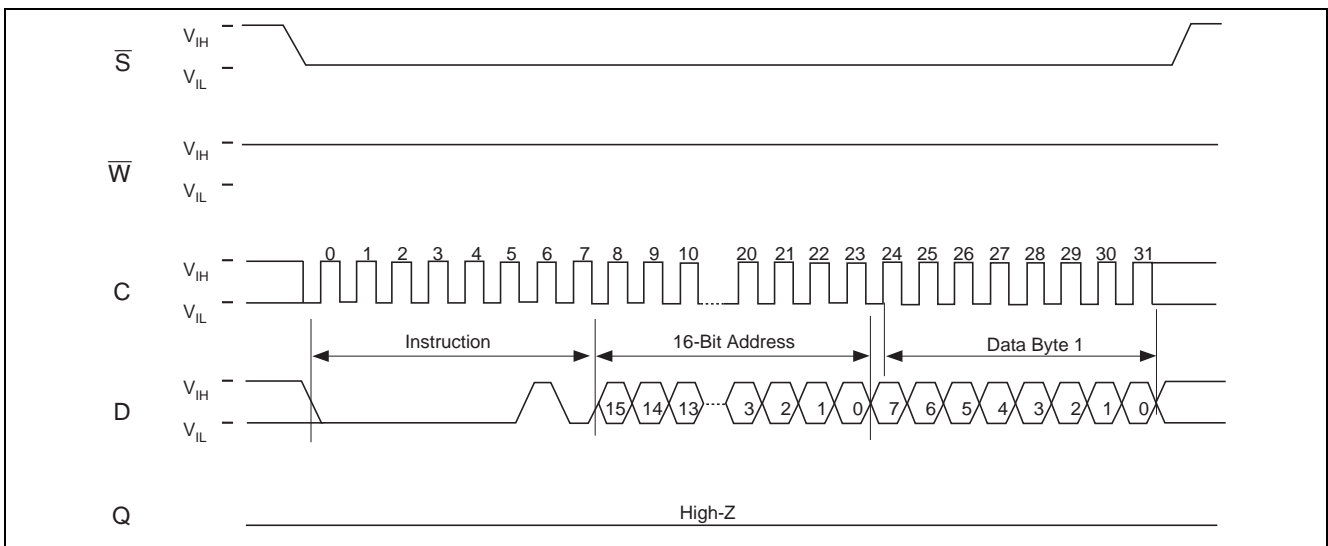
If, though, chip select (\bar{S}) continues to be driven low, as shown in the following figure, the next byte of the input data is shifted in, so that more than a single byte, starting from the given address towards the end of the same page, can be written in a single internal Write cycle.

Each time a new data byte is shifted in, the least significant bits of the internal address counter are incremented. If the number of data bytes sent to the device exceeds the page boundary, the internal address counter rolls over to the beginning of the page, and the previous data there are overwritten with the incoming data. (The page size of these device is 32 bytes).

The instruction is not accepted, and is not executed, under the following conditions:

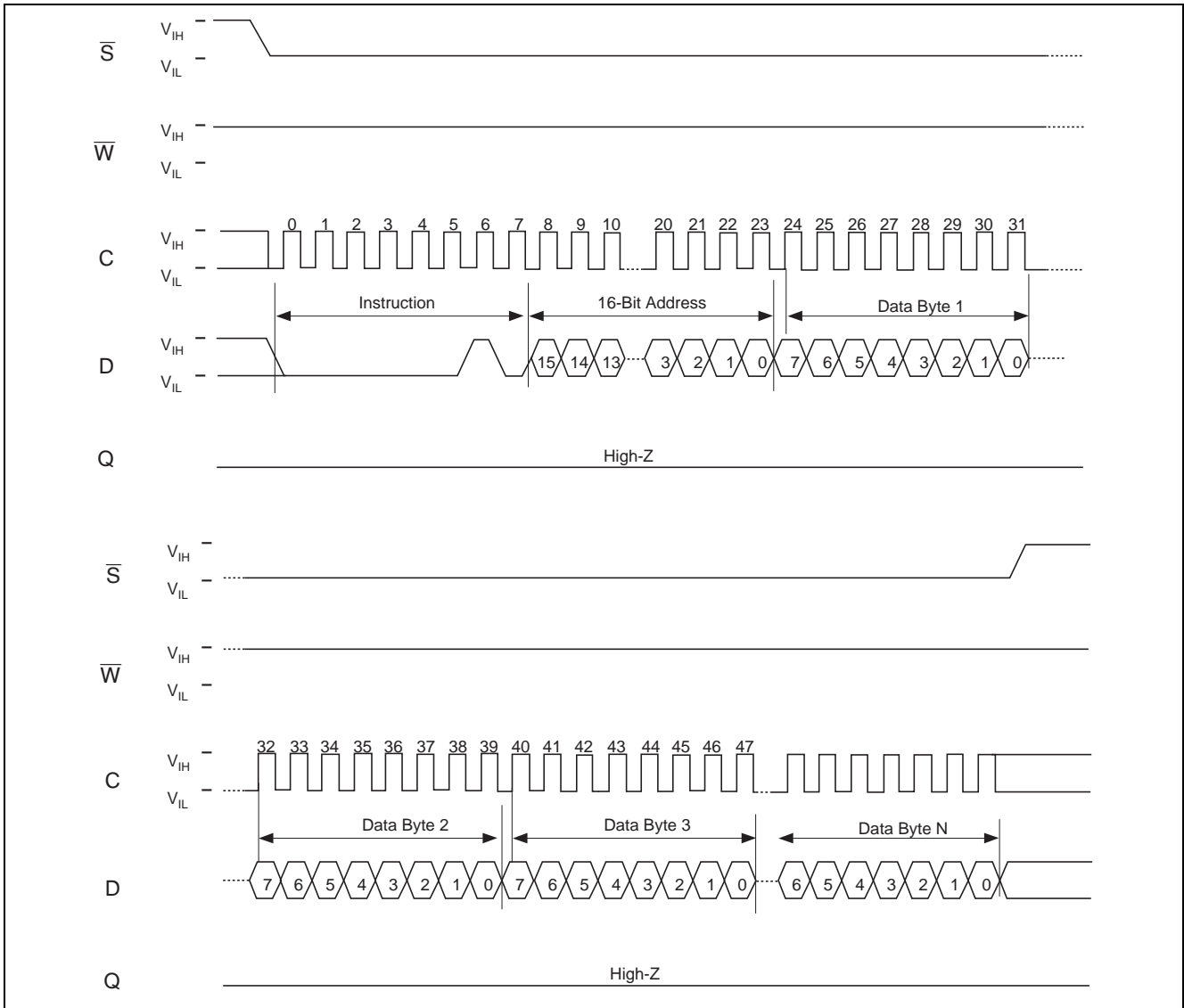
- If the Write Enable Latch (WEL) bit has not been set to 1 (by executing a Write Enable instruction just before)
- If a Write cycle is already in progress
- If the addressed page is in the region protected by the Block Protect (BP1 and BP0) bits.

Byte Write (WRITE) Sequence (1 Byte)



Note: 1. Depending on the memory size, as shown in Address Range Bits table, the most significant address bits are don't care.

Byte Write (WRITE) Sequence (Page)



Note: 1. Depending on the memory size, as shown in Address Range Bits table, the most significant address bits are don't care.

Data Protect

The protection features of the device are summarized in the following table. When the Status Register Write Disable (SRWD) bit of the Status Register is 0 (its initial delivery state), it is possible to write to the Status Register provided that the Write Enable Latch (WEL) bit has previously been set by a Write Enable (WREN) instruction, regardless whether write protect (\overline{W}) is driven high or low.

When the Status Register Write Disable (SRWD) bit of the Status Register is set to 1, two cases need to be considered, depending on the state of write protect (\overline{W}):

- If write protect (\overline{W}) is driven high, it is possible to write to the Status Register provided that the Write Enable Latch (WEL) bit has previously been set by a Write Enable (WREN) instruction.
- If write protect (\overline{W}) is driven low, it is not possible to write to the Status Register even if the Write Enable Latch (WEL) bit has previously been set by a Write Enable (WREN) instruction. (Attempts to write to the Status Register are rejected, and are not accepted for execution). As a consequence, all the data bytes in the memory area that are software protected (SPM) by the Block Protect (BP1, BP0) bits of the Status Register, are also hardware protected against data modification.

Regardless of the order of the two events, the Hardware Protected Mode (HPM) can be entered:

- By setting the Status Register Write Disable (SRWD) bit after driving write protect (\overline{W}) low.
- By driving write protect (\overline{W}) low after setting the Status Register Write Disable (SRWD) bit.

The only way to exit the Hardware Protected Mode (HPM) once entered is to pull write protect (\overline{W}) high.

If write protect (\overline{W}) is permanently tied high, the Hardware Protected Mode (HPM) can never be activated, and only the Software Protected Mode (SPM), using the Block Protect (BP1, BP0) bits of the Status Register, can be used.

Write Protected Block Size

| Status register bits | | Protected blocks | Array addresses protected | |
|----------------------|-----|------------------|---------------------------|-----------------|
| BP1 | BP0 | | HN58X25256FPIAG | HN58X25128FPIAG |
| 0 | 0 | None | None | None |
| 0 | 1 | Upper quarter | 6000h – 7FFFh | 3000h – 3FFFh |
| 1 | 0 | Upper half | 4000h – 7FFFh | 2000h – 3FFFh |
| 1 | 1 | Whole memory | 0000h – 7FFFh | 0000h – 3FFFh |

Protection Modes

| \overline{W} signal | SRWD bit | Mode | Write protection of the status register | Memory protect | |
|-----------------------|----------|--------------------------|--|------------------------------|------------------------------------|
| | | | | Protected area* ¹ | Unprotected area* ¹ |
| 1 | 0 | Software protected (SPM) | Status register is writable (if the WREN) instruction has set the WEL bit). The values in the BP1 and BP0 bits can be changed. | Write protected | Ready to accept Write instructions |
| 0 | 0 | | | | |
| 1 | 1 | | | | |
| 0 | 1 | Hardware protected (HPM) | Status register is hardware write protected. The values in the BP1 and BP0 bits cannot be changed. | Write protected | Ready to accept Write instructions |

Note: 1. As defined by the values in the Block Protected (BP1, BP0) bits of the Status Register, as shown in the Write Protected Block Size table.

Hold Condition

The hold ($\overline{\text{HOLD}}$) signal is used to pause any serial communications with the device without resetting the clocking sequence.

During the hold condition, the serial data output (Q) is high impedance, and serial data input (D) and serial clock (C) are don't care.

To enter the hold condition, the device must be selected, with chip select ($\overline{\text{S}}$) low.

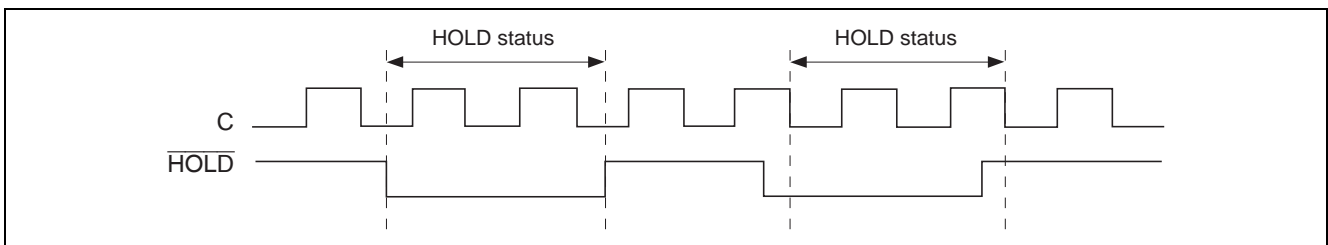
Normally, the device is kept selected, for the whole duration of the hold condition. Deselecting the device while it is in the hold condition, has the effect of resetting the state of the device, and this mechanism can be used if it is required to reset any processes that had been in progress.

The hold condition starts when the hold ($\overline{\text{HOLD}}$) signal is driven low at the same time as serial clock (C) already being low (as shown in the following figure).

The hold condition ends when the hold ($\overline{\text{HOLD}}$) signal is driven high at the same time as serial clock (C) already being low.

The following figure also shows what happens if the rising and falling edges are not timed to coincide with serial clock (C) being low.

Hold Condition Activation



Notes

Data Protection at V_{CC} On/Off

When V_{CC} is turned on or off, noise on $\overline{\text{S}}$ inputs generated by external circuits (CPU, etc) may act as a trigger and turn the EEPROM to unintentional program mode. To prevent this unintentional programming, this EEPROM have a power on reset function. Be careful of the notices described below in order for the power on reset function to operate correctly.

- $\overline{\text{S}}$ should be fixed to V_{CC} during V_{CC} on/off. Low to high or high to low transition during V_{CC} on/off may cause the trigger for the unintentional programming.
- V_{CC} should be turned on/off after the EEPROM is placed in a standby state.
- V_{CC} should be turned on from the ground level (V_{SS}) in order for the EEPROM not to enter the unintentional programming mode.
- V_{CC} turn on rate should be slower than $2 \mu\text{s}/\text{V}$.
- When WRSR or WRITE instruction is executed before V_{CC} turns off, V_{CC} should be turned off after waiting write cycle time (t_w).

Power Source Noise Countermeasures

In order to suppress power-source-noise which causes malfunction of the device, it is recommended to put $0.1\mu\text{F}$ bypass-capacitor (such as a monolithic ceramic capacitor which has good high-frequency characteristics) between V_{CC} and V_{SS} , and shorten the wiring length between the capacitor and V_{CC}/V_{SS} terminals as much as possible.

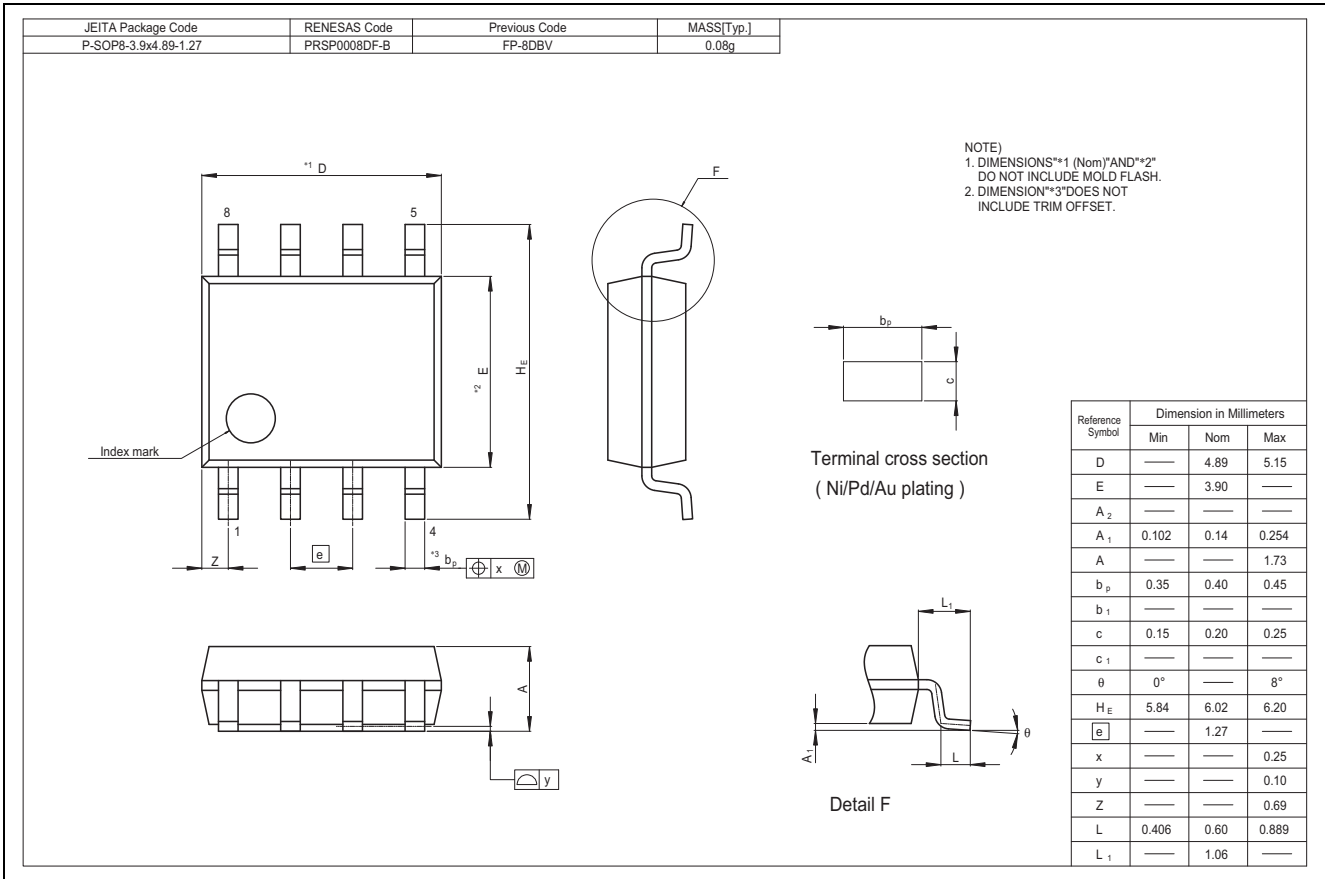
Data of shipped sample

All bits of EEPROM are logical "1" (FF Hex).

Status register (SRWD) & Block Protect bits (BP1, BP0) are "0" status at Shipment.

Package Dimensions

HN58X25128FPIAG/HN58X25256FPIAG (PRSP0008DF-B / Previous Code: FP-8DBV)



Revision History

HN58X25128FPIAG/HN58X25256FPIAG Data Sheet

| Rev. | Date | Description | |
|------|--------------|-------------|--|
| | | Page | Summary |
| 1.00 | Nov 30, 2006 | — | Initial issue |
| 1.01 | Jan 15, 2009 | 1 | Features Change of Endurance: 10 ⁶ Erase/Write Cycles to 1,000k Cycles @ 25°C. Change of Data retention: 10 Years to 100 Years @ 25°C. |
| | | 3 | Absolute Maximum Rating Change of storage temperature range -65°C to -55°C. Capacitance new is described. Memory cell characteristics new is described. |
| | | 4 | DC characteristics Output voltage V _{OH1} , V _{OH2} test conditions changed I _{OL} to I _{OH} . |
| | | 5, 6 | AC characteristics Erase/Write endurance is deleted. Notes1. change Not 100% tested. Notes3. deleted. |
| 2.00 | Nov 29, 2013 | — | Apply New Renesas format. |
| | | 2 | Change Ordering Information Change Type No. to Orderable P/N. Addition Voltage detector in Block Diagram. |
| | | 3 | Absolute Maximum Ratings: Delete Notes 3. DC Operating Conditions: Delete Notes 2. |
| | | 4 | Addition DC characteristics I _{SB} = 0.5μA(Typ)@3.6V, I _{CC1} = 1.0mA(Typ)@3.6V, I _{CC2} = 1.5mA(Typ)@3.6V |
| | | 18 | Change Note V _{CC} turn on speed should be longer than 10 μs/V. to V _{CC} turn on rate should be slower than 2 μs/V. Addition these items for Notes (Power Source Noise Countermeasures) , (Data of shipped sample) |

Notice

1. Descriptions of circuits, software and other related information in this document are provided only to illustrate the operation of semiconductor products and application examples. You are fully responsible for the incorporation of these circuits, software, and information in the design of your equipment. Renesas Electronics assumes no responsibility for any losses incurred by you or third parties arising from the use of these circuits, software, or information.
2. Renesas Electronics has used reasonable care in preparing the information included in this document, but Renesas Electronics does not warrant that such information is error free. Renesas Electronics assumes no liability whatsoever for any damages incurred by you resulting from errors in or omissions from the information included herein.
3. Renesas Electronics does not assume any liability for infringement of patents, copyrights, or other intellectual property rights of third parties by or arising from the use of Renesas Electronics products or technical information described in this document. No license, express, implied or otherwise, is granted hereby under any patents, copyrights or other intellectual property rights of Renesas Electronics or others.
4. You should not alter, modify, copy, or otherwise misappropriate any Renesas Electronics product, whether in whole or in part. Renesas Electronics assumes no responsibility for any losses incurred by you or third parties arising from such alteration, modification, copy or otherwise misappropriation of Renesas Electronics product.
5. Renesas Electronics products are classified according to the following two quality grades: "Standard" and "High Quality". The recommended applications for each Renesas Electronics product depends on the product's quality grade, as indicated below.
"Standard": Computers; office equipment; communications equipment; test and measurement equipment; audio and visual equipment; home electronic appliances; machine tools; personal electronic equipment; and industrial robots etc.
"High Quality": Transportation equipment (automobiles, trains, ships, etc.); traffic control systems; anti-disaster systems; anti-crime systems; and safety equipment etc.
Renesas Electronics products are neither intended nor authorized for use in products or systems that may pose a direct threat to human life or bodily injury (artificial life support devices or systems, surgical implantations etc.), or may cause serious property damages (nuclear reactor control systems, military equipment etc.). You must check the quality grade of each Renesas Electronics product before using it in a particular application. You may not use any Renesas Electronics product for any application for which it is not intended. Renesas Electronics shall not be in any way liable for any damages or losses incurred by you or third parties arising from the use of any Renesas Electronics product for which the product is not intended by Renesas Electronics.
6. You should use the Renesas Electronics products described in this document within the range specified by Renesas Electronics, especially with respect to the maximum rating, operating supply voltage range, movement power voltage range, heat radiation characteristics, installation and other product characteristics. Renesas Electronics shall have no liability for malfunctions or damages arising out of the use of Renesas Electronics products beyond such specified ranges.
7. Although Renesas Electronics endeavors to improve the quality and reliability of its products, semiconductor products have specific characteristics such as the occurrence of failure at a certain rate and malfunctions under certain use conditions. Further, Renesas Electronics products are not subject to radiation resistance design. Please be sure to implement safety measures to guard them against the possibility of physical injury, and injury or damage caused by fire in the event of the failure of a Renesas Electronics product, such as safety design for hardware and software including but not limited to redundancy, fire control and malfunction prevention, appropriate treatment for aging degradation or any other appropriate measures. Because the evaluation of microcomputer software alone is very difficult, please evaluate the safety of the final products or systems manufactured by you.
8. Please contact a Renesas Electronics sales office for details as to environmental matters such as the environmental compatibility of each Renesas Electronics product. Please use Renesas Electronics products in compliance with all applicable laws and regulations that regulate the inclusion or use of controlled substances, including without limitation, the EU RoHS Directive. Renesas Electronics assumes no liability for damages or losses occurring as a result of your noncompliance with applicable laws and regulations.
9. Renesas Electronics products and technology may not be used for or incorporated into any products or systems whose manufacture, use, or sale is prohibited under any applicable domestic or foreign laws or regulations. You should not use Renesas Electronics products or technology described in this document for any purpose relating to military applications or use by the military, including but not limited to the development of weapons of mass destruction. When exporting the Renesas Electronics products or technology described in this document, you should comply with the applicable export control laws and regulations and follow the procedures required by such laws and regulations.
10. It is the responsibility of the buyer or distributor of Renesas Electronics products, who distributes, disposes of, or otherwise places the product with a third party, to notify such third party in advance of the contents and conditions set forth in this document, Renesas Electronics assumes no responsibility for any losses incurred by you or third parties as a result of unauthorized use of Renesas Electronics products.
11. This document may not be reproduced or duplicated in any form, in whole or in part, without prior written consent of Renesas Electronics.
12. Please contact a Renesas Electronics sales office if you have any questions regarding the information contained in this document or Renesas Electronics products, or if you have any other inquiries.
(Note 1) "Renesas Electronics" as used in this document means Renesas Electronics Corporation and also includes its majority-owned subsidiaries.
(Note 2) "Renesas Electronics product(s)" means any product developed or manufactured by or for Renesas Electronics.



SALES OFFICES

Renesas Electronics Corporation

<http://www.renesas.com>

Refer to "<http://www.renesas.com/>" for the latest and detailed information.

Renesas Electronics America Inc.
2880 Scott Boulevard Santa Clara, CA 95050-2554, U.S.A.
Tel: +1-408-586-6000, Fax: +1-408-588-6130

Renesas Electronics Canada Limited
1101 Nicholson Road, Newmarket, Ontario L3Y 9C3, Canada
Tel: +1-905-898-5441, Fax: +1-905-898-3220

Renesas Electronics Europe Limited
Dukes Meadow, Millboard Road, Bourne End, Buckinghamshire, SL8 5FH, U.K.
Tel: +44-1628-651-700, Fax: +44-1628-651-804

Renesas Electronics Europe GmbH
Arcadiastrasse 10, 40472 Düsseldorf, Germany
Tel: +49-211-65030, Fax: +49-211-6503-1327

Renesas Electronics (China) Co., Ltd.
7th Floor, Quantum Plaza, No.27 ZhiChunLu Haidian District, Beijing 100083, P.R.China
Tel: +86-10-8235-1155, Fax: +86-10-8235-7679

Renesas Electronics (Shanghai) Co., Ltd.
Unit 301, Tower A, Central Towers, 555 LanGao Rd., Putuo District, Shanghai, China
Tel: +86-21-2226-0888, Fax: +86-21-2226-0999

Renesas Electronics Hong Kong Limited
Unit 1601-1613, 16/F., Tower 2, Grand Century Place, 193 Prince Edward Road West, Mongkok, Kowloon, Hong Kong
Tel: +852-2886-9318, Fax: +852 2886-9022/9044

Renesas Electronics Taiwan Co., Ltd.
13F, No. 363, Fu Shing North Road, Taipei, Taiwan
Tel: +886-2-8175-9600, Fax: +886 2-8175-9670

Renesas Electronics Singapore Pte. Ltd.
80 Bendemeer Road, Unit #06-02 Hyflux Innovation Centre Singapore 339949
Tel: +65-6213-0200, Fax: +65-6213-0300

Renesas Electronics Malaysia Sdn.Bhd.
Unit 906, Block B, Menara Amcorp, Amcorp Trade Centre, No. 18, Jln Persiaran Barat, 46050 Petaling Jaya, Selangor Darul Ehsan, Malaysia
Tel: +60-3-7955-9390, Fax: +60-3-7955-9510

Renesas Electronics Korea Co., Ltd.
12F., 234 Teheran-ro, Gangnam-Gu, Seoul, 135-080, Korea
Tel: +82-2-558-3737, Fax: +82-2-558-5141